

JC35FA2 Linear Actuator

Application field - Industrial Field

General Features

- Dynamic Load (N): 10000
- Static Load (N): 16000
- Standard Maximum Stroke (mm): 500
- Maximum Stroke (mm): 1000
- Manual operation when power off

Optional Features^[1]

- Analog position output (potentiometer)
- Digital position output (Hall)
- DC brush motor/DC brushless motor
- Ball screw / trapezoidal screw



Performance Specifications

Maximum static load (N):	16000 ^[2]	Order stroke length increments:	50
Maximum dynamic load (KN):	10000	Temperature operating range (°C):	-40~85
JC35FA2-X-1.7-XX		Full load duty cycle:	25% ^[5]
JC35FA2-X-2.6-XX		Protection grade- Static:	IP67; IP69K
JC35FA2-X-4.5-XX		Protection grade - Dynamic:	IP66
JC35FA2-X-6.8-XX		Salt spray resistance (H):	500
JC35FA2-X-10-XX			
Speed # no load/full load (mm/s)^[3]			
JC35FA2-X-1.7	71/58		
JC35FA2-X-2.6	40/32		
JC35FA2-X-4.5	24/19		
JC35FA2-X-6.8	18/14		
JC35FA2-X-10	11/9		
Minimum order stroke length (mm):	50		
Maximum order stroke length (mm):	1000 ^[4]		

[1] Only one of the optional functions of CAN bus, RS485, analog position output (potentiometer) can be selected.

[2] Maximum static load at full retract stroke.

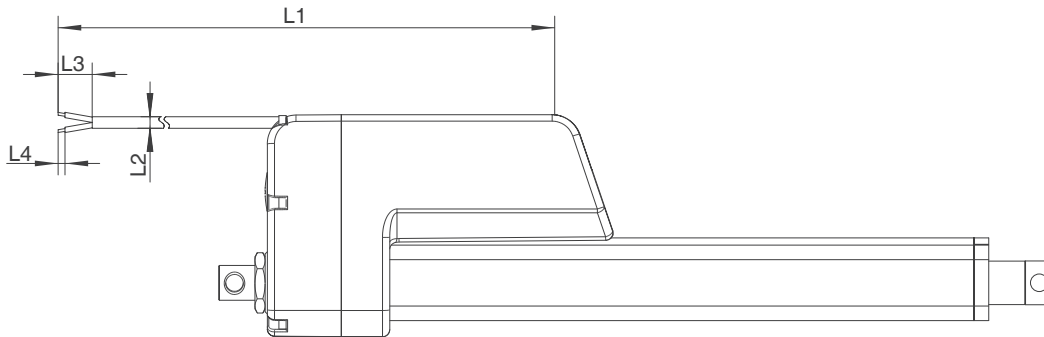
[3] The speed parameters are the performance of the ball screw configuration at 25°C.

[4] Maximum 500mm at 10KN.

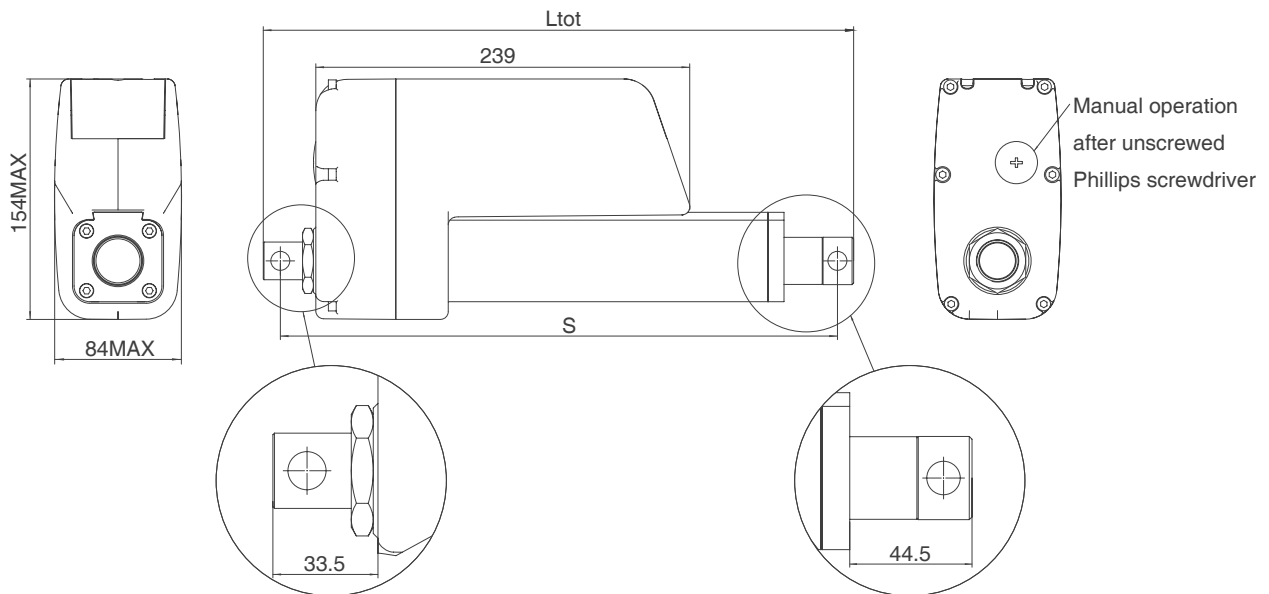
[5] For JC35FA2-X-6.8 and JC35FA2-X-10, the duty cycle is 20%.

Electrical Specifications

Available input voltage (VDC):	24
Input voltage tolerance (VDC):	18 – 32
Current consumption @ no load/full load:	
JC35FA2-X-1.7	2/9
JC35FA2-X-2.6	2/9
JC35FA2-X-4.5	2/9
JC35FA2-X-6.8	2/10
JC35FA2-X-10	2/10
Motor lead cross-sectional area [mm²(AWG)]:	1.3 (16)
Signal lead cross-sectional area [mm²(AWG)]:	0.3 (22)
Standard cable length [m(in)]:	1.5 (59)
Cable diameter [mm(in)]:	8(0.315)
Flying line length [mm(in)]:	50(1.97)
Stripped lead length [mm(in)]:	6(0.25)



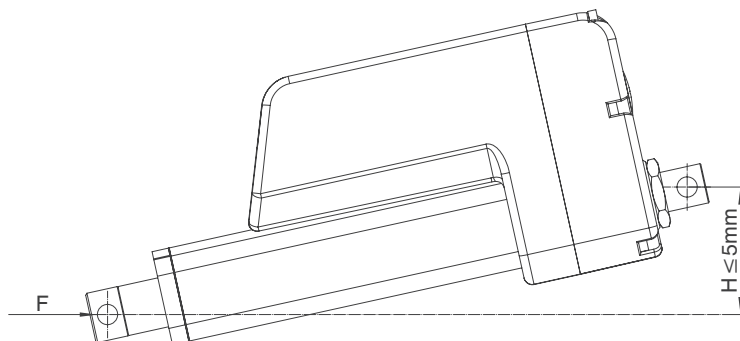
Basic Size



Ltot: total length $S + 10.9 + 10.9$
S Installation distance: 255 + stroke

Installation advice

When installing, the height difference between the force direction and the front and rear tail pulls should not exceed 5mm.





Strictly abiding by medical safety certifications

Passed EMC tests. To ensure our products pass all kinds of tests domestic or abroad.



Communication protocol development

Aiming at different applications, develop more extensive functions for control system.



Professional customization

Powerful R&D strength, fully satisfy customers' needs. Development cycle is about 10 days, seizing more market opportunities



Intelligent Control of Bluetooth

Mobile phone as the remote, applying in home care. Market pioneer, Jiecang provides better choices



Wireless Communication

Controllers adopt high-frequency wireless system. It can avoid interference mixing with signal receivers, assisting in remote control over medical equipment.



Latest Weighing System

Designed for physiotherapy beds and medical care beds. Cantilever carrying weighing sensor, it is applicable to different bedsteads dispensing with any adjustment



Notes for mounting and usage can be found in the corresponding mounting manual